

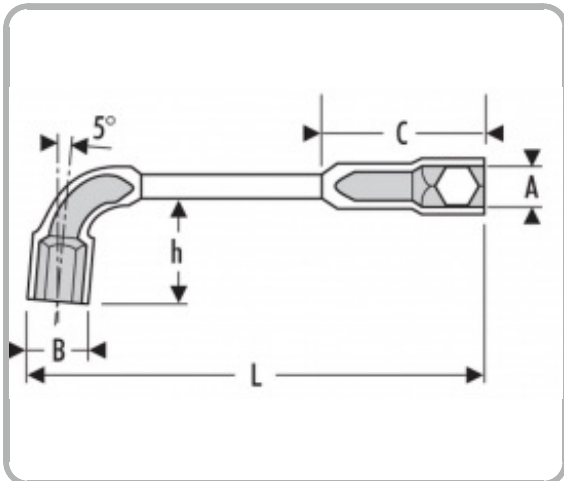
## ANGLED SOCKET WRENCHES 6-POINT X 6-POINT - METRIC | E113453



### Description

- ISO 691 - ISO 2236
- The specific angle offers increased torque application.
- The opening allows a threaded rod to be passed through for nuts on a long thread and also enables the use of a bar to increase torque application.
- The deep punch in the heads allows for tightening even when the threaded rod protrudes.
- Forged in Chrome Vanadium steel.
- High chrome finish.

### Information



<b>EAN</b>	3258951134146
------------	---------------

<b>A [mm]</b>	29
---------------	----

<b>B [mm]</b>	41
---------------	----

<b>C [mm]</b>	76
---------------	----

<b>H1 [mm]</b>	64
----------------	----

<b>H [mm]</b>	62
---------------	----

<b>L [mm]</b>	300
---------------	-----

<b>Conditioning</b>	1
---------------------	---

<b>[g]</b>	1035
------------	------