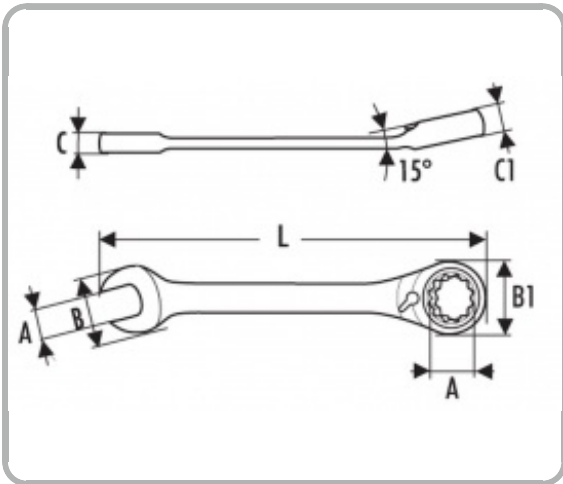


**RATCHET COMBINATION WRENCHES - METRIC | E117377**

**Description**

- ISO 691 - ISO 1711-1
- 5° increment.
- 12-point OGV® ring angled at 15°.
- Open end angled at 15° from the handle axis (increment angle 30°).
- OGV® Ring profile maximizing contact surface with the nut for a longer lifetime.
- Switch to change ratcheting direction built into handle to prevent accidental change.
- Forged in Chrome Vanadium steel.
- High chrome finish.

**Information**


<b>EAN</b>	3258951173770
<b>A [mm]</b>	6
<b>B [mm]</b>	16.3
<b>B1 [mm]</b>	17.7
<b>C [mm]</b>	5
<b>C1 [mm]</b>	7.7
<b>L [mm]</b>	124
<b>Conditioning</b>	1
<b>[g]</b>	28