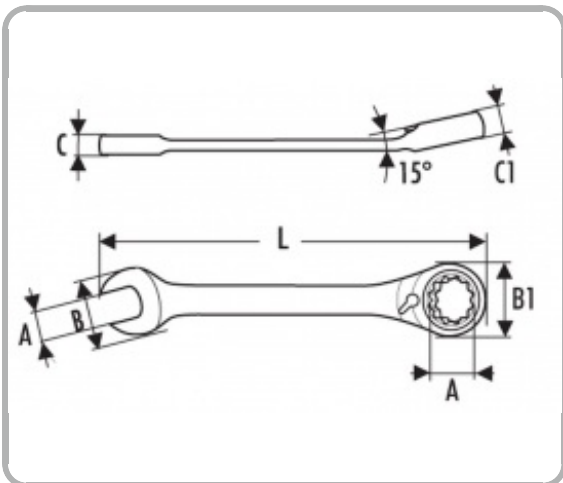


RATCHET COMBINATION WRENCHES - METRIC | E117370

Description

- ISO 691 - ISO 1711-1
- 5° increment.
- 12-point OGV® ring angled at 15°.
- Open end angled at 15° from the handle axis (increment angle 30°).
- OGV® Ring profile maximizing contact surface with the nut for a longer lifetime.
- Switch to change ratcheting direction built into handle to prevent accidental change.
- Forged in Chrome Vanadium steel.
- High chrome finish.

Information


EAN	3258951173701
A [mm]	21
B [mm]	45.3
B1 [mm]	41.5
C [mm]	10.3
C1 [mm]	13
L [mm]	285
Conditioning	1
[g]	540