

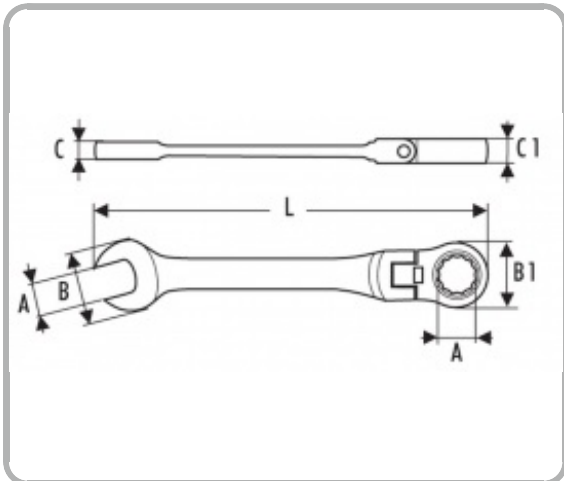
## HINGED RATCHET COMBINATION WRENCHES - METRIC | E110910



### Description

- ISO 691 - ISO 1711-1
- 5° increment.
- 12-point OGV® ring end flexible through 180°.
- Open end angled at 15° from the handle axis (increment angle 30°).
- OGV® Ring profile maximizing contact surface with the nut for a longer lifetime.
- Switch of direction by turning the wrench.
- Forged in Chrome Vanadium steel.
- High chrome finish.

### Information



<b>EAN</b>	3258951109106
------------	---------------

<b>A [mm]</b>	17
---------------	----

<b>B [mm]</b>	37
---------------	----

<b>B1 [mm]</b>	32.6
----------------	------

<b>C [mm]</b>	8
---------------	---

<b>C1 [mm]</b>	10.9
----------------	------

<b>L [mm]</b>	233
---------------	-----

<b>Conditioning</b>	1
---------------------	---

<b>[g]</b>	205
------------	-----