

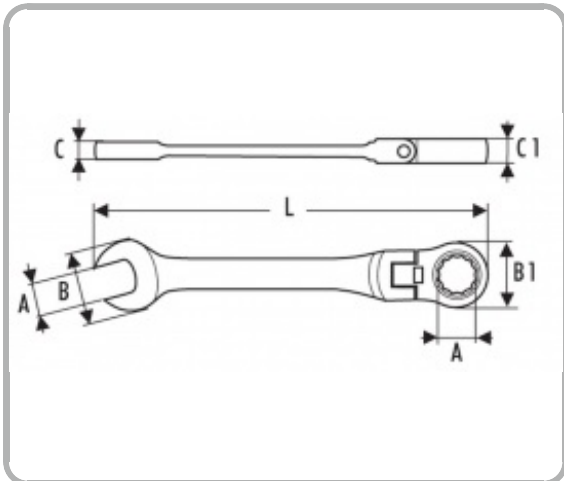
HINGED RATCHET COMBINATION WRENCHES - METRIC | E110908



Description

- ISO 691 - ISO 1711-1
- 5° increment.
- 12-point OGV® ring end flexible through 180°.
- Open end angled at 15° from the handle axis (increment angle 30°).
- OGV® Ring profile maximizing contact surface with the nut for a longer lifetime.
- Switch of direction by turning the wrench.
- Forged in Chrome Vanadium steel.
- High chrome finish.

Information



| | |
|------------|---------------|
| EAN | 3258951109083 |
|------------|---------------|

| | |
|---------------|----|
| A [mm] | 15 |
|---------------|----|

| | |
|---------------|------|
| B [mm] | 32.1 |
|---------------|------|

| | |
|----------------|------|
| B1 [mm] | 29.1 |
|----------------|------|

| | |
|---------------|-----|
| C [mm] | 7.7 |
|---------------|-----|

| | |
|----------------|----|
| C1 [mm] | 10 |
|----------------|----|

| | |
|---------------|-----|
| L [mm] | 200 |
|---------------|-----|

| | |
|---------------------|---|
| Conditioning | 1 |
|---------------------|---|

| | |
|------------|-----|
| [g] | 140 |
|------------|-----|