

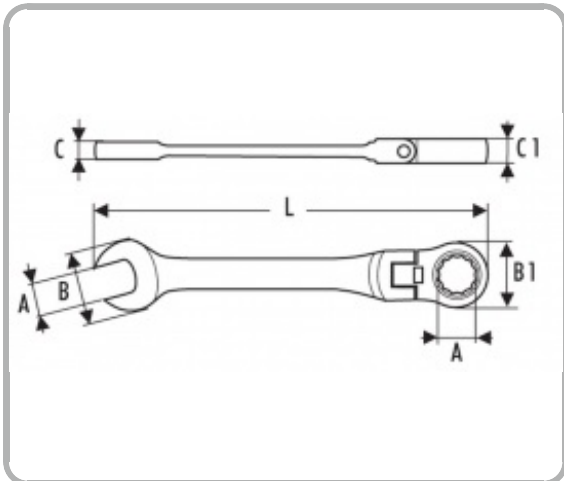
HINGED RATCHET COMBINATION WRENCHES - METRIC | E110907



Description

- ISO 691 - ISO 1711-1
- 5° increment.
- 12-point OGV® ring end flexible through 180°.
- Open end angled at 15° from the handle axis (increment angle 30°).
- OGV® Ring profile maximizing contact surface with the nut for a longer lifetime.
- Switch of direction by turning the wrench.
- Forged in Chrome Vanadium steel.
- High chrome finish.

Information



EAN	3258951109076
------------	---------------

A [mm]	14
---------------	----

B [mm]	30.4
---------------	------

B1 [mm]	27.7
----------------	------

C [mm]	7.3
---------------	-----

C1 [mm]	9.4
----------------	-----

L [mm]	193
---------------	-----

Conditioning	1
---------------------	---

[g]	130
------------	-----