

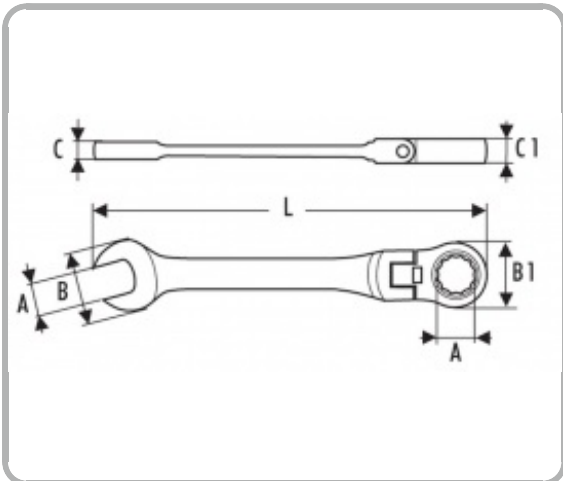
HINGED RATCHET COMBINATION WRENCHES - METRIC | E110906



Description

- ISO 691 - ISO 1711-1
- 5° increment.
- 12-point OGV® ring end flexible through 180°.
- Open end angled at 15° from the handle axis (increment angle 30°).
- OGV® Ring profile maximizing contact surface with the nut for a longer lifetime.
- Switch of direction by turning the wrench.
- Forged in Chrome Vanadium steel.
- High chrome finish.

Information



EAN	3258951109069
A [mm]	13
B [mm]	26.8
B1 [mm]	26
C [mm]	7
C1 [mm]	9
L [mm]	180
Conditioning	1
[g]	110