

GAZELLE®

GC2034 Cordless Brushless Impact Wrench User Manual



• Pictures of battery packs with different configurations vary in the illustration.

GENERAL POWER TOOL SAFETY WARNINGS



WARNING! Read and understand all instructions. Failure to follow all instructions listed below may result in electric shock, fire and/or serious personal injury.

Save all warnings and instructions for future reference.

The term "power tool" in the warnings refers to your mains-operated (corded) power tool or battery-operated (cordless) power tool.

1) Work Area Safety

- a) **Keep work area clean and well lit.** Cluttered or dark areas invite accidents.
- b) **Do not operate power tools in explosive atmospheres, such as in the presence of flammable liquids, gases, or dust.** Power tools create sparks which may ignite the dust or fumes.
- c) **Keep children and bystanders away while operating a power tool.** Distractions can cause you to lose control.

2) Electrical Safety

- a) **Power tool plugs must match the outlet. Never modify the plug in anyway. Do not use any adapter plugs with earthed (grounded) power tools.** Unmodified plugs and matching outlets will reduce risk of electric shock.
- b) **Avoid body contact with earthed or grounded surfaces, such as pipes, radiators, ranges and refrigerators.** There is an increased risk of electric shock if your body is earthed or grounded.
- c) **Do not expose power tools to rain or wet conditions.** Water entering a power tool will increase the risk of electric shock.
- d) **Do not abuse the cord. Never use the cord for carrying, pulling or unplugging the power tool. Keep cord away from heat, oil, sharp edges or moving parts.** Damaged or entangled cords increase the risk of electric shock.
- e) **When operating a power tool outdoors, use an extension cord suitable for outdoor use.** Use of a cord suitable for outdoor use reduces the risk of electric shock.
- f) **If operating a power in a damp location is unavoidable, use a residual current device (RCD) protected supply.** Use of an RCD reduces the risk of electric shock.

3) Personal Safety

- a) **Stay alert, watch what you are doing and use common sense when operating a power tool. Do not use a power tool while you are tired or under**

the influence of drugs, alcohol, or medication. A moment of inattention while operating power tools may result in serious personal injury.

- b) **Use personal protective equipment. Always wear eye protection.** Protective equipment such as dust mask, non-skid safety shoes, hard hat, or hearing protection used for appropriate conditions will reduce personal injuries.
 - c) **Prevent unintentional starting. Ensure the switch is in the off-position before connecting to power source and/or battery pack, picking up or carrying the tool.** Carrying power tools with your finger on the switch or energising power tools that have the switch on invites accidents.
 - d) **Remove any adjusting key or wrench before turning the tool on.** A wrench or a key left attached to a rotating part of the power tool may result in personal injury.
 - e) **Do not overreach. Keep proper footing and balance at all times.** This enables better control of the power tool in unexpected situations.
 - f) **Dress properly. Do not wear loose clothing or jewellery. Keep your hair, clothing, and gloves away from moving parts.** Loose clothes, jewellery or long hair can be caught in moving parts.
 - g) **If devices are provided for the connection of dust extraction and collection facilities, ensure these are connected and properly used.** Use of dust collection can reduce dust-related hazards.
 - h) **Do not let familiarity gained from frequent use of tools allow you to become complacent and ignore tool safety principles.** A careless action can cause severe injury within a fraction of a second.
- ## 4) Power Tool Use and Care
- a) **Do not force the power tool. Use the correct power tool for your application.** The correct power tool will do the job better and safer at the rate for which it was designed.
 - b) **Do not use tool if switch does not turn it on or off.** Any power tool that cannot be controlled with the switch is dangerous and must be repaired.
 - c) **Disconnect the plug from the power source and/or the battery pack from the power tool before making any adjustments, changing accessories, or storing power tools.** Such preventive safety measures reduce the risk of starting the power tool accidentally.
 - d) **Store idle power tools out of the reach of children and do not allow persons unfamiliar with the power tool or these instructions to operate the power tool.** Power tools are dangerous in the hands of untrained users.
 - e) **Maintain power tools. Check for misalignment or binding of moving parts, breakage of parts**

and any other condition that may affect the power tool's operation. If damaged, have the power tool repaired before use. Many accidents are caused by poorly maintained power tools.

- f) **Keep cutting tools sharp and clean.** Properly maintained cutting tools with sharp cutting edges are less likely to bind and are easier to control.
- g) **Use the power tool, accessories and tool bits etc. in accordance with these instructions, taking into account the working conditions and the work to be performed.** Use of the power tool for operations different from those intended could result in a hazardous situation.
- h) **Keep the handle and grip surface dry, clean and free of grease.** In the case of accidents, the slippery handle cannot guarantee the safety and control of the tool in unexpected situations.

5) Battery tool use and care

- a) **Recharge only with the charger specified by the manufacturer.** A charger that is suitable for one type of battery pack may create a risk of fire when used with another battery pack.
- b) **Use power tools only with specifically designated battery packs.** Use of any other battery packs may create a risk of injury and fire.
- c) **When battery pack is not in use, keep it away from other metal objects, like paper clips, coins, keys, nails, screws or other small metal objects, that can make a connection from one terminal to another.** Shorting the battery terminals together may cause burns or a fire.
- d) **Under abusive conditions, liquid may be ejected from the battery; avoid contact. If contact accidentally occurs, flush with water.** If liquid contacts eyes, additionally seek medical help. Liquid ejected from the battery may cause irritation or burns.
- e) **Do not use a battery pack or tool that is damaged or modified.** Damaged or modified batteries may exhibit unpredictable behaviour resulting in fire, explosion or risk of injury.
- f) **Do not expose a battery pack or tool to fire or excessive temperature.** Exposure to fire or temperature above 130 °C may cause explosion.

NOTE The temperature „130 °C“ can be replaced by the temperature „265 °F“.

- g) **Follow all charging instructions and do not charge the battery pack or tool outside the temperature range specified in the instructions.** Charging improperly or at temperatures outside the specified range may damage the battery and increase the risk of fire.

6) Service

- a) **Have your power tool serviced by a qualified**

repair person using only identical replacement parts. This will ensure that the safety of the power tool is maintained.

- b) Never service damaged battery packs. Service of battery packs should only be performed by the manufacturer or authorized service providers..

Hold the power tool by insulated gripping surfaces, when performing an operation where the fastener may contact hidden wiring. Fasteners contacting a "live" wire may make exposed metal parts of the power tool "live" and could give the operator an electric shock.

Battery safety warning

- a) Do not dismantle, open or shred secondary cells or batteries.
- b) Keep batteries out of the reach of children. Battery usage by children should be supervised. Especially keep small batteries out of reach of small children.
- c) Do not expose cells or batteries to heat or fire. Avoid storage in direct sunlight.
- d) Do not short-circuit a cell or a battery. Do not store cells or batteries haphazardly in a box or drawer where they may short-circuit each other or be short-circuited by other metal objects.
- e) Do not subject cells or batteries to mechanical shock.
- f) In the event of a cell leaking, do not allow the liquid to come in contact with the skin or eyes. If contact has been made, wash the affected area with copious amounts of water and seek medical advice.
- g) Do not use any charger other than that specifically provided for use with the equipment.
- h) Do not use any cell or battery which is not designed for use with the equipment.
- i) Do not mix cells of different manufacture, capacity, size or type within a device.
- j) Always purchase the battery recommended by the device manufacturer for the equipment.
- k) Keep cells and batteries clean and dry.
- l) Wipe the cell or battery terminals with a clean dry cloth if they become dirty.
- m) Secondary cells and batteries need to be charged before use. Always use the correct charger and refer to the manufacturer's instructions or equipment manual for proper charging instructions.
- n) Do not leave a battery on prolonged charge when not in use.
- o) After extended periods of storage, it may be necessary to charge and discharge the cells or batteries several times to obtain maximum performance.
- p) Retain the original product literature for future reference.

- q) Use the cell or battery only in the application for which it was intended.
 r) When possible, remove the battery from the equipment when not in use.
 s) Keep the cell or battery away from microwaves and high pressure.
 t) Dispose of properly.

Symbol



WARNING



To reduce the risk of injury, user must read instruction manual

Technical data

Model		GC2034
Voltage		20V
Square Drive		12.7(1/2") mm
Bolt Size		M12-M20 mm
Battery	Type	Li-Ion
No-load Speed	L	0-1800 /min
	M	0-2100 /min
	H	0-2400 /min
Rated Impacting Frequency	L	0-2600 /min
	M	0-3000 /min
	H	0-3500 /min
Max. Torque	L	350 N·m
	M	400 N·m
	H	488 N·m
Net Weight (without battery)		1.4 kg

※Due to the continuing program of research and development, the specifications herein are subject to change without prior notice.

For battery tools:

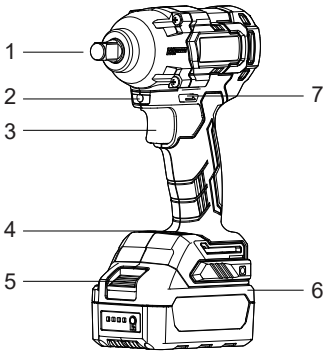
Ambient temperature range during operation and storage: 0°C - 45°C

Recommended ambient temperature range during charging: 5°C - 40°C

	Charger	Battery pack
Model	GC1000	GC1040
	GC1001	GC1050

The battery packs of our company are constantly updated, please look forward to our service and latest news!

GENERAL DESCRIPTION



- | | |
|-------------------------|---------------------------|
| 1. Anvil | 5. Button |
| 2. Light | 6. Battery Pack |
| 3. Switch Trigger | 7. Reversing Switch Lever |
| 4. Torque Setting Panel | |

BEFORE USE

Caution: When installing or removing the battery pack, please set the reversing switch lever to the center position to lock the switch so as not to accidentally touch the switch and cause safety problems.

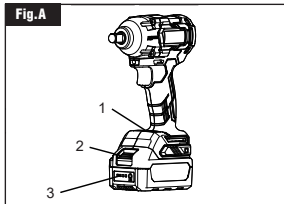
• Installing or Removing Battery Pack

1. Installing the battery pack

As shown in the figure below, when inserting the battery pack, pay attention to insert the battery pack into the housing correctly. Be sure to insert the battery pack until you hear the "click" sound, which means that the battery pack has been firmly installed on the controller. Otherwise, the battery pack will accidentally fall off the casing, causing injuries to the operator or others. Avoid inserting the battery pack with excessive force or tapping it in with the help of other objects.

*** Caution: Only specific battery packs can be used.**

The use of battery packs of other brands carries the risk of injury, personal injury and property damage due to battery pack explosion.



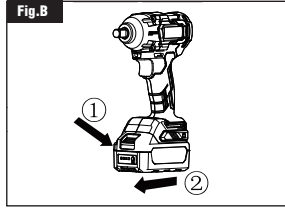
1. Torque Setting Panel
2. Button
3. Indicator Light

2. Removing the battery pack

The battery pack is placed under the machine handle, press the battery pack button down in the direction

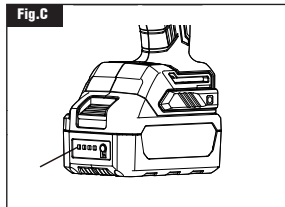
of arrow 1, and then pull out the battery pack in the direction of arrow 2 as shown in the figure.

CAUTION: Don't pull out the battery forcibly!



• Indicator Light

The indicator light on the battery pack shows the power of the battery pack, indicated by the status of the four red LED lights.



1. Four LED Power Indicator Lights.

The state of Indicator light	Approx. Battery Power Left
LED1~LED4 lit	>19.6±0.5V
LED1~LED3 lit	>19.6±0.5V~18.9±0.5V
LED1~LED2 lit	>18.9±0.5V~17.7±0.5V
LED1 lit	>17.7±0.5V~16±0.5V
LED1~LED4 extinguished	<16±0.5V

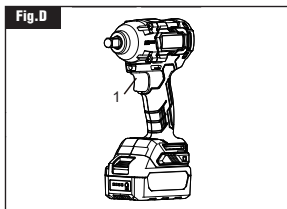
***Caution: Please refer to the specific instructions of the charger.**

OPERATION DESCRIPTION

• Switch Action

To start the tool, simply pull switch trigger. Tool speed is increased by increasing pressure on the switch trigger and further pressure results in an increase in speed. Release the switch trigger to switch off the tool.

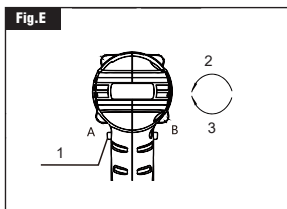
Caution: Before inserting the battery cartridge into the tool, always check to see that the switch trigger actuates properly and returns to the "OFF" position when released. Do not operate the machine at a low speed for too long, or the inside machine may be overheated.



1. Switch Trigger

• Reversing Switch Action

Depress the reversing switch lever from side B to side A for clockwise rotation for drilling and driving in screws (viewed from the rear of the tool). Depress the reversing switch lever from side A to side B for counterclockwise rotation for loosening or unscrewing screws (viewed from the rear of the tool).



1. Reversing Switch Lever
2. Counter clockwise
3. clockwise

CAUTION:

Always check the direction of rotation before operation. Operate the reversing switch only after the tool comes to a complete stop. Changing the direction of rotation before the tool stops may damage the tool. When not operating the tool, always set the reversing switch lever to the center position. (Lock the switch) Never force to push the switch trigger while the reversing switch lever is set at the center position.

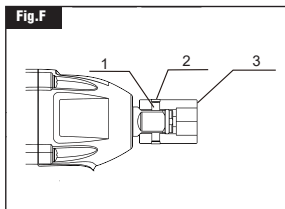
• Installing or Removing Tools

Tools referred to here include sockets, etc., and are not equivalent to power tools or machines.

Caution: Always set the reversing switch lever to the center position before operation and pull out the battery pack. Never force to push the switch trigger.

• Installing the tool

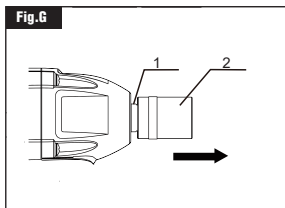
To install the socket, insert it into the end the wrench. Check if the socket is installed on the tool firmly. The socket is inserted to the innermost end of the anvil, insert the pin, with a rubber ring attached to ensure that the socket does not fall off freely, and it must be checked that the insertion tool is firmly attached to the anvil of the machine.



1. Pin
2. Rubber Ring
3. Socket

• Removing the tool

Uncover the Socket Rubber Ring, take out the pin and pull the socket along the direction of the arrow.



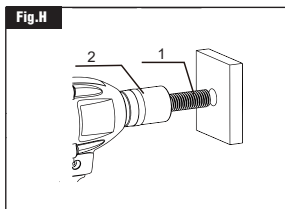
1. Anvil
2. Socket

Caution: If the pin is found to be worn or broken, please replace it in time.

Tightening or Removing Bolt/Nut

• Tightening Bolt/Nut

Place the socket in the bolt head and apply pressure to the tool. Start the tool slowly and then increase the speed gradually. Release the switch trigger when the bolt fixed tightly.



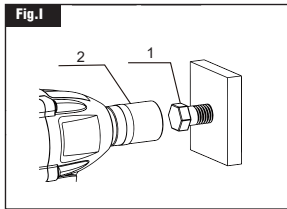
1. Bolt
2. Socket

CAUTION:

Point the bolt to threaded hole as vertically as possible.

• Removing Bolt/Nut

Place the socket in the bolt head and start the tool to its full speed. After bolt was removed completely, release the switch trigger slowly.



1. Bolt
2. Socket

CAUTION:

Set reversing switch lever for counterclockwise rotation when removing the bolt.

● **Setting Torque**

The machine is provided with 3 gears of torque adjustment. Touch and press the switch button on the torque control panel to realize the switch of the L, M and H gears, so as to adapt to different site requirement.

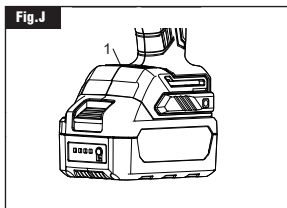
L gear: Press the switch trigger and run the tool at the speed of 1800r/min, the maximum torque can reach 350N•m.

M gear: Press the switch trigger and run the tool at the speed of 2100r/min, the maximum torque can reach 400N•m.

H gear: Press the switch trigger and run the tool at the speed of 2400r/min, the maximum torque can reach 488N•m.

CAUTION:

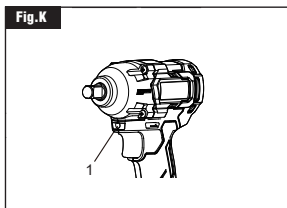
Please use 3 different gears reasonably according to the usage requirements in different work occasions.



1. Torque Setting Panel

● **Work Light**

The white LED work light will be lit when pull the switch trigger, allows for illumination of the work area under unfavorable lighting conditions.



1. Work Light

● **Continuous Use** the tool is operated

continuously until the battery has discharged, allow the tool to rest for 15minutes before proceeding with a fresh battery.

● **Operation**

For threaded connections with special torque requirements, use a torque wrench to check whether the actual torque is in line with the actual requirements. If it does not meet the actual requirements, it may become loose in work and cause personal injury and property loss.

CAUTION:

1. **Do not touch the connecting rod during operation. otherwise the finger may be caught between the connecting rod and the tool**
2. **Do not cover vents or you may overheat the tool and damage it.**
3. **Please wear the goggles when operating.**
4. **Please read the operation instructions before use.**
5. **Safety protection device**
6. **Burn hazard: Surface humidity may be high.**

CARE AND MAINTENANCE

● **Clean the air vents**

The vents must be kept clean of the machine. Should be regular cleaning or clear congestion occurs at any time.

● **Check the mounting screw**

Should always check whether mounting screw fastening safely. If found loose screws, shall be immediately to tighten, so as to avoid an accident.

● **Clean**

Do not use liquid such as water or chemical cleaning agent to clean the machine. Wipe the machine with a dry cloth.

● **Lubricating**

Add lubricating grease to the inner gear housing and drive spindle for slower wear and better performance of the tool. And it can also be sent to the designated maintenance point for professional maintenance.

● **Cleaning Charger Base**

Cut off power supply and pull out the battery before cleaning. Use dry cloth to clear dirty and grease on the charger base. Do not wash it with water or detergent.

Caution: Always remove the battery pack from the machine before doing any repair or maintenance work on the machine.

Inspection and Maintenance

● **Inspection**

When the machine is sent out or taken back, the

custodian must make a routine inspection; Before use, the user must carry out daily inspection; The unit using the machine must have full-time personnel to carry out regular inspection; Check at least once a year; The inspection period should be shortened correspondingly in hot and humid areas with frequent temperature changes or in places with poor working conditions; It should be checked in time before the plum rain season.

If the machine passes the regular inspection, the inspection "qualified" mark should be pasted on the appropriate part of the machine. The "conformity" mark should be distinct, clear and correct and at least include: machine number, name or mark of inspection unit, name or mark of inspection personnel, date of validity.

● Maintenance

Always adjust the forward reverse switch to the center position when servicing the power tool, replacing the tool on the power tool, or carrying the power tool.

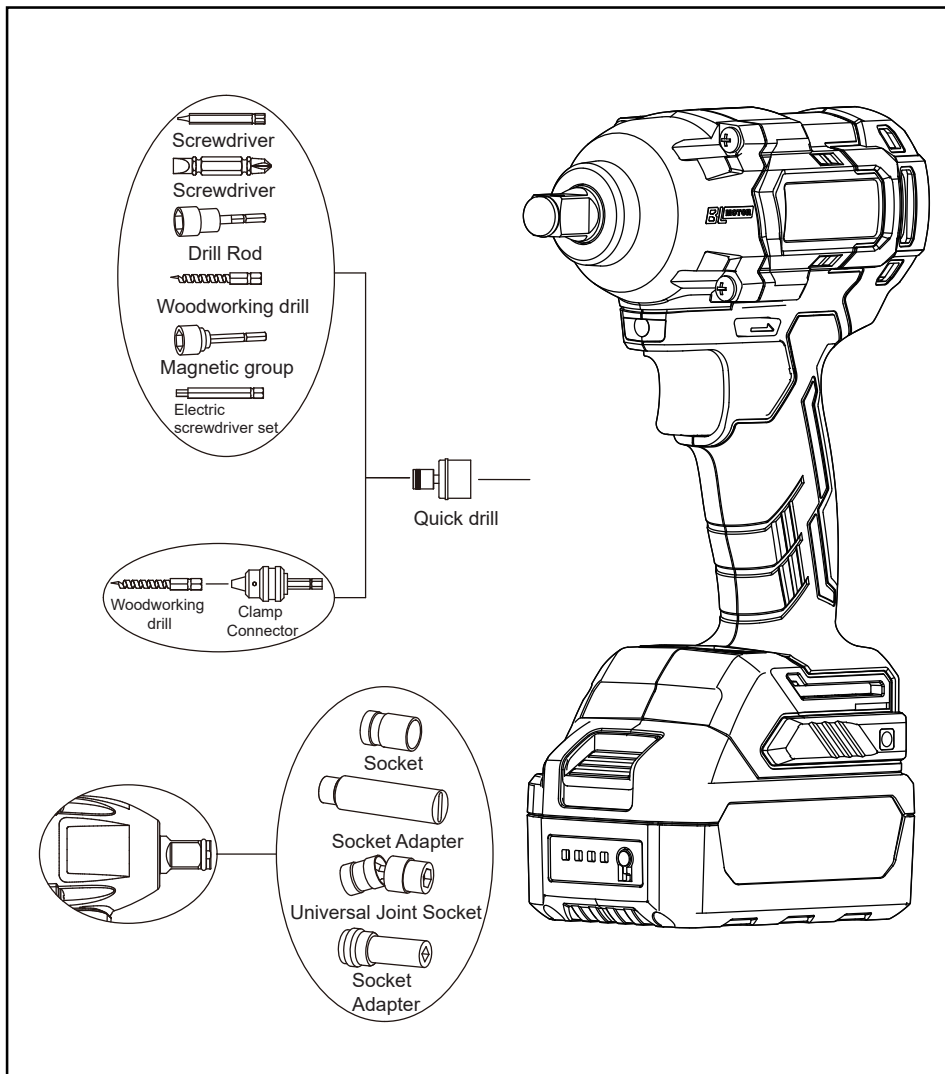
The maintenance of the machine must be carried out by a maintenance unit approved by the original production unit. The user and the maintenance department shall not modify the original design parameters of the machine at will, and shall not use substitute materials that are lower than the performance of materials and parts and components that do not conform to the original specifications.

TROUBLESHOOTING

Problem	Cause	Remedy
The machine does not work, The battery pack is fully charged and contact.	Poor contact between battery pack and the machine.	Reinstall the battery pack.
	Machine parts are damaged.	Send the machine back to the original factory or maintenance point for repair.
The machine broke down suddenly while it was working	The battery pack runs out of power	Recharge the battery pack or replace the fully charged battery pack
	High temperature or overload protection	Leave the machine and battery pack to cool
	Machine parts are damaged.	Send the machine back to the original factory or maintenance point for repair.
The noise of the machine or the temperature is too high	The gear box is short of lubricating oil	Add special lubricating oil.
	The machine absorbs dust or iron filings	Clean the machine.
	Machine parts are damaged.	Send the machine back to the original factory or maintenance point for repair.
The socket comes off easily from the anvil	The socket is worn.	Replace the socket
	The spiral retaining ring of the anvil is worn	Send the machine back to the original factory or maintenance point for repair

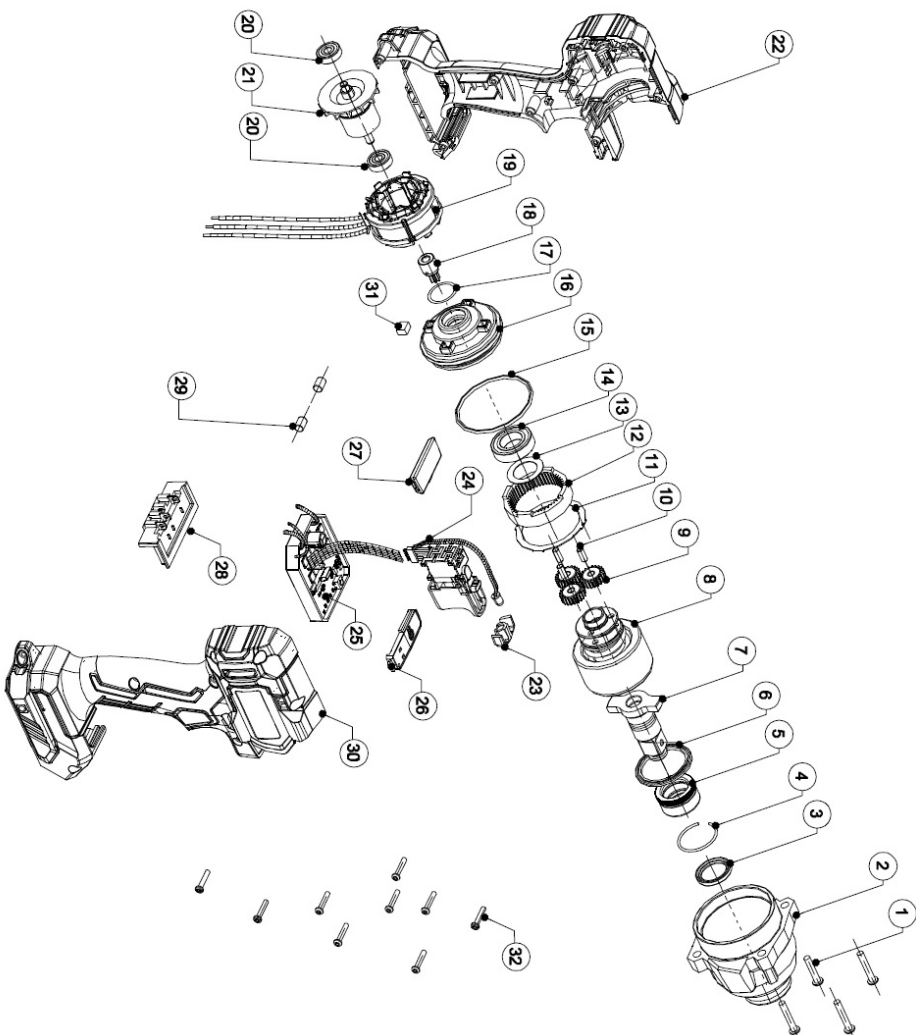
APPLICATION CASE

This product can use a variety of external tools, users can change the tool according to the actual job requirements, the use of methods can refer to the following figure. The accessories mentioned in the figures or in the instructions are not included in the scope of supply.



EXPLANATION OF GENERAL VIEW

1	Cross Recessed Pan Head Tapping Screw(Wiith Step) ST5*30	24	Signal Switch
6	Output Shaft Filler Washer(Iron)	25	Circuit Board Assembly
7	Driving End Assembly	26	Torque Setting Panel
8	Hammer Assembly	27	Reversing Switch Lever
9	Planetary Gear	28	Battery Combination Hub
10	Planetary Gear Pin	29	Rubber Column
11	Washer 41×50.5×1	31	Wool Felt 5*5*4
12	Inner Gear	32	Screw ST2.9*16
13	Washer 16×21×0.8	T1	Front Cover Assembly of Gearbox
15	O Ring 47.5*2	T2	Rear Seat of Gearbox Assembly
17	O Ring 15.7*1.5	T3	Armature Assembly
19	Motor Stator	T4	Motor Housing
23	LED Shade		



INNOVATION
PERFORMANCE
SAFETY
CONFIDENCE
GAZELLE

GAZELLE

sales@gazelleindustrial.com | www.gazelleindustrial.com