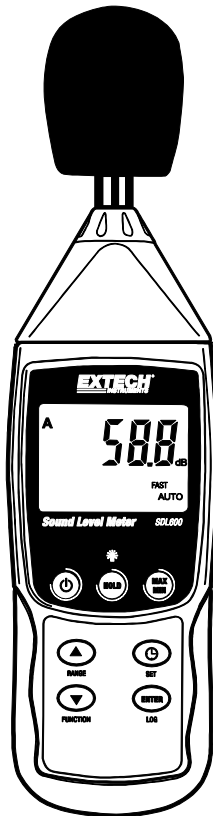


Sound Level Meter

SD Card real-time Datalogger

Model SDL600



Introduction

Congratulations on your purchase of the Extech SDL600 Sound Level Meter. This meter displays and stores sound level readings in the 30 to 130 db range. The SDL600 includes 'A' and 'C' frequency weighting and FAST and SLOW response time. Logged data readings are stored on an SD card for transfer to a PC. This meter is shipped fully tested and calibrated and, with proper use, will provide years of reliable service.






Safety

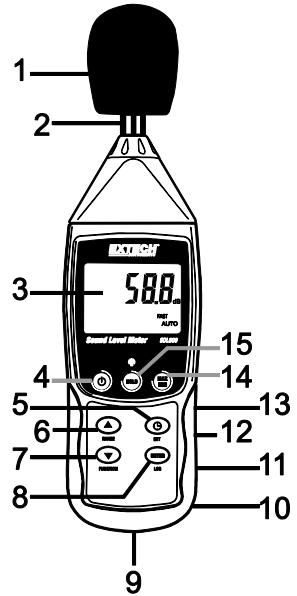
International Safety Symbols



This symbol, adjacent to another symbol or terminal, indicates the user must refer to the manual for further information.

Meter Description

1. Windscreen microphone cover
2. Microphone
3. LCD display
4. Power ON-OFF  key
5. SET and Clock  key
6. Up arrow  / RANGE key
7. Down arrow  / FUNCTION key
8. ENTER and LOG key
9. SD card slot
10. Power Adaptor jack
11. PC interface jack
12. 94dB Calibration potentiometer
13. AC voltage output (retransmission)
14. MAX-MIN key
15. HOLD and Backlight  key



Notes:

Items 10 through 13 are located behind the snap-off compartment cover on meter's right side.


Battery compartment, tilt stand, and tripod mount are located on the rear of the instrument

Getting Started

Accessories

- The SDL600 includes batteries, SD card, windscreen, and carry case. If items are missing please contact the distributor through which this product was purchased
- An optional AC adaptor is available through Extech distributors
- Optional sound level calibrators are available through Extech distributors. Calibrators are highly recommended for best accuracy and repeatability.

Power ON-OFF



- Press and hold the power button  for at least 1.5 seconds to power ON the meter.
- Press and hold the power button for 1.5 seconds to power OFF the meter.
- This meter is powered by six (6) 1.5VDC 'AA' batteries or by optional AC adaptor. If the meter will not switch ON please check that fresh batteries are installed in the rear battery compartment or, in the case of the AC adaptor, check that the adaptor is connected correctly to the meter and to an AC source.

Operation

Measurement Considerations

1. Wind blowing across the microphone increases the noise measurement. Use the supplied windscreen to cover the microphone when applicable.
2. Calibrate the instrument before each use if possible. Especially if the meter has not been used for a long period of time.
3. Do not store or operate the instrument in areas of high temperature or humidity.
4. Keep meter and microphone dry.
5. Avoid severe vibration. Protect the meter from impact. Do not drop it. Transport the meter in the supplied case.
6. Remove the battery when the meter is to be stored for long periods of time.

Basic Operation

1. Turn the meter ON by pressing and holding the  button for 1.5 seconds.
2. The meter defaults to AUTO RANGE, 'A' Frequency Weighting, and 'FAST' Time Response.
3. Select 'A' or 'C' frequency weighting in the SETUP Mode.
4. Select 'Fast' or 'Slow' response time by pressing and holding the FUNCTION button. Release the button when the desired setting is displayed. Note that the PEAK HOLD mode of operation is also accessed in this way.
5. Hold the meter in hand or use the tripod mount to affix the meter in the desired location.
6. To select the range, press and hold the RANGE button until the desired range is shown (AUTO, 30 to 80, 50 to 100, or 80 to 130db). Use a range that puts the sound level reading in the center of the range. If dashes appear on the display select a new range if possible. Note that the overall range of the instrument is 30 to 130 db.
7. The sound level reading is shown in large digits at the center of the LCD.
8. To turn the meter off, press and hold the  button for 1.5 seconds.


Frequency Weighting 'A' and 'C'

Select 'A' or 'C' frequency weighting in the SETUP Mode. With 'A' weighting selected, the frequency response of the meter is similar to the response of the human ear. 'A' weighting is commonly used for environmental or hearing conservation programs such as OSHA regulatory testing and noise ordinance law enforcement. 'C' weighting is a much flatter response and is suitable for the sound level analysis of machines, engines, etc. Most noise measurements are performed using 'A' Weighting and SLOW Response.

Response Time 'FAST' and 'SLOW'

Press and hold the FUNCTION button until the desired response time (FAST or SLOW) is shown. Select FAST to capture noise peaks and noises that occur very quickly. Select the SLOW response to monitor a sound source that has a consistent noise level or to average quickly changing levels. Select SLOW response for most applications.

Display Backlight

To turn the display backlight ON or OFF, press and hold the backlight  button for at least 1.5 seconds.

Data Hold

To freeze a displayed reading on the LCD, momentarily press the HOLD button (the HOLD display icon will appear). To release the held reading, press the HOLD button again.

Peak Hold

To capture and freeze a noise peak, press and hold the FUNCTION button until the PEAK icon is displayed on upper left-hand corner of the LCD. In this mode, the displayed reading will only change when a higher sound peak is captured. To exit this mode, press and hold the FUNCTION button until the PEAK icon switches off.

Max-Min Reading Record and Recall

For a given measurement session, this meter can record the highest (MAX) and the lowest (MIN) readings for later recall.

1. Press the MAX-MIN button momentarily to access this mode of operation (REC icon appears) the meter is now recording the MAX and MIN readings.
2. Press the MAX-MIN button again to view the current MAX reading (MAX icon appears). The reading on the display is now the highest reading encountered since the REC icon was switched on (when the MAX-MIN button was first pressed).
3. Press the MAX-MIN button again to view the current MIN reading (MIN icon appears). The reading on the display is now the lowest reading encountered since the REC icon was switched on (when the MAX-MIN button was first pressed).
4. To exit the MAX-MIN mode, press and hold the MAX-MIN button for at least 1.5 seconds. The meter will beep, the REC-MAX-MIN icons will switch off, the MAX-MIN memory will clear, and the meter will return to the normal operating mode.

Setup Mode

Basic settings at a glance

To view the current configuration of the meter with regard to time, date, and datalogging sampling rate press the SET button momentarily. The meter will now display the configuration in quick succession. Repeat as necessary to observe all of the information.

Accessing the Setup mode

1. Press and hold the SET button for at least 1.5 seconds to access the Setup menu.
2. Press the SET button momentarily to step through the available parameters. The parameter type is shown on the bottom of the LCD and the current selection for that type is shown above it.
3. When a parameter is displayed that is to be changed, use the arrow keys to change the setting. Press the ENTER button to confirm a change.
4. Press and hold the SET button for at least 1.5 seconds to exit the Setup mode. Note that the meter automatically switches out of the Setup mode if no key is pressed within 7 seconds.
5. The available Setup parameters are listed below. Additional detailed information is provided below this list:

| | |
|-------------|---|
| dAtE | Set the clock (Year/Month/Date; Hours/Minutes/Seconds) |
| SP-t | Set the datalogger sampling rate |
| PoFF | Automatic power-off (Enable/disable the auto-power off function) |
| bEEP | Set the beeper sound ON/OFF |
| dEC | Set the numerical format; USA (decimal: 20.00) or European (comma: 20,00) |
| Sd-F | Format the SD memory card |
| SET | 'A' and 'C' frequency weighting selection |

Setting the Clock Time

1. Access the **dAtE** parameter.
2. Use the arrow keys to change a value
3. Use the ENTER button to step through the selections
4. Press and hold the SET button for at least 1.5 seconds to exit to the normal operation mode (or simply wait 7 seconds for the meter to automatically switch to the normal operating mode).
5. The clock will keep accurate time even when the meter is switched off. However, if the battery expires the clock will have to be reset after fresh batteries are installed.

Setting the Datalogger Sampling Time (Rate)

1. Access the **SP-t** parameter.
2. Use the arrow keys to select the desired sampling rate. The available settings are: 0, 1, 2, 5, 10, 30, 60, 120, 300, 600, 1800, and 3600 seconds.
3. Press the ENTER key to confirm the entry.
4. Press and hold the SET button for at least 1.5 seconds to exit to the normal operation mode (or simply wait 7 seconds for the meter to automatically switch to the normal operating mode).

Enabling/Disabling the Auto Power OFF Feature

1. Access the **PoFF** parameter.
2. Use the arrow buttons to select YES (enable) or NO (disable). With the Auto Power OFF feature enabled, the meter will automatically switch OFF after 10 minutes of inactivity.
3. Press ENTER to confirm setting.
4. Press and hold the SET button for at least 1.5 seconds to exit to the normal operation mode (or simply wait 7 seconds for the meter to automatically switch to the normal operating mode).

Set the Beeper Sound ON or OFF

1. Access the **bEEP** parameter.
2. Use the arrow buttons to select ON (enable) or OFF (disable).
3. Press ENTER to confirm setting.
4. Press and hold the SET button for at least 1.5 seconds to exit to the normal operation mode (or simply wait 7 seconds for the meter to automatically switch to the normal operating mode).

Numerical Format (comma or decimal)

European and USA numerical formats differ. The meter defaults to USA mode where a decimal point is used to separate units from tenths, i.e. **20.00**; The European format uses a comma, i.e. **20,00** to separate units from tenths. To change this setting:

1. Access the **dEC** parameter.
2. Use the arrow buttons to select USA or Euro.
3. Press ENTER to confirm setting.
4. Press and hold the SET button for at least 1.5 seconds to exit to the normal operation mode (or simply wait 7 seconds for the meter to automatically switch to the normal operating mode).

SD Card FORMATTING

1. Access the **Sd-F** parameter.
2. Use the arrow buttons to select YES to format the card (select NO to abort). Note that all data on the card will be lost if formatting is attempted.
3. Press ENTER to confirm selection.
4. Press ENTER again to re-confirm.
5. The meter will automatically return to the normal operating mode when formatting is complete. If not, press and hold the SET button for at least 1.5 seconds to exit to the normal operation mode.

Set the Frequency Response type ('A' or 'C' Weighting)

1. Access the **SET** parameter.
2. Use the arrow keys to select **A** or **C**.
3. Press ENTER to confirm setting.
4. Press and hold the SET key for at least 1.5 seconds to exit to the normal operation mode (or simply wait 7 seconds for the meter to automatically switch to the normal operating mode).

Datalogging and PC Interface

Types of Data Recording

- **Manual Datalogging:** Manually log up to 99 readings onto an SD card via push-button press.
- **Automatic Datalogging:** Automatically log data onto an SD memory card where the number of data points is virtually limited only by the card size. Readings are logged at a rate specified by the user.

SD Card Information

- Insert an SD card (from 1G size up to 16G) into the SD card slot at the bottom of the meter. The card must be inserted with the front of the card (label side) facing toward the rear of the meter.
- If the SD card is being used for the first time it is recommended that the card be formatted and the logger's clock set to allow for accurate date/time stamping during datalogging sessions. Refer to the Setup Mode section for SD card formatting and time/date setting instructions.
- European and USA numerical formats differ. The data on the SD card can be formatted for either format. The meter defaults to USA mode where a decimal point is used to separate units from tenths, i.e. **20.00**. The European format uses a comma, i.e. **20,00**. To change this setting, refer to the Setup Mode section.

Manual Datalogging

In the manual mode the user presses the LOG button to manually log a reading onto the SD card.

1. Set the sampling rate to '0' seconds as described in the Setup Mode section.
2. Press and hold the LOG button for at least 1.5 seconds and the DATALOGGER icon will appear on the LCD; the lower portion of the display will show "P N" (N = memory position number 1-99).
3. Momentarily press the LOG button to store a reading. The DATALOGGER icon will flash each time a data point is stored.
4. Use the ▲ and ▼ buttons to select one of the 99 data memory positions in which to record.
5. To exit the manual datalogging mode, press and hold the LOG button for at least 1.5 seconds. The DATALOGGER icon will switch off.

Automatic Datalogging

In automatic datalogging mode the meter takes and stores a reading at a user-specified sampling rate onto an SD memory card. The meter defaults to a sampling rate of two seconds. To change the sampling rate, refer to the Setup Mode section (the sampling rate cannot be '0' for automatic datalogging):

1. Select the sampling rate in the Setup Mode (refer to Setup Mode section) to a value other than zero.
2. Press and hold the LOG button for at least 1.5 seconds. The meter will flash the REC icon and flash the LOGGER icon at the selected sampling rate indicating that readings are now being automatically recorded to the SD card.
3. If a card is not inserted or if the card is defective, the meter will display SCAN SD indefinitely. In this case, switch the meter OFF and try again with a valid SD card.
4. Pause the datalogger by pressing the LOG button momentarily. The DATALOGGER icon will stop flashing. To resume logging simply press the LOG button again momentarily.
5. To terminate the datalogging session press and hold the LOG button for at least 1.5 seconds.
6. When an SD card is used for the first time a folder is created on the card and named **SLB01**. Up to 99 spreadsheet documents (each with 30,000 readings) can be stored in this folder.
7. When datalogging begins a new spreadsheet document named **SLB01001.xls** is created on the SD card in the SLB01 folder. The data recorded will be placed in the SLB01001.xls document until 30,000 readings are reached.
8. If the measurement session exceeds 30,000 readings, a new document will be created (SLB1002.xls) where another 30,000 readings can be stored. This method continues for up to 99 documents, after which another folder is created (SLB02) where another 99 spreadsheet documents can be stored. This process continues in this same fashion with folders SLB03 through SLB10 (last allowable folder).

SD Data Card to PC Data Transfer

1. Complete a datalogging session as detailed in above in the previous sections. Hint: For the first few tests, simply record a small amount of test data. This is to ensure that the datalogging process is well understood before committing to critical, large scale datalogging.
2. With the meter switched OFF, remove the SD Card.
3. Plug the SD Card directly into a PC SD card reader. If the PC does not have an SD card slot, use an SD card adaptor (available at most outlets where computer accessories are sold).
4. Power the PC and run a spreadsheet software program. Open the saved documents in the spreadsheet software program (see example spreadsheet data screen below).

Spreadsheet data example

| | A | B | C | D | E |
|----|-------|-----------|----------|-------|------|
| 1 | Place | Date | Time | Value | Unit |
| 2 | 1 | 7/29/2011 | 13:38:00 | 60.8 | dB |
| 3 | 2 | 7/29/2011 | 13:38:01 | 60.8 | dB |
| 4 | 3 | 7/29/2011 | 13:38:02 | 60.8 | dB |
| 5 | 4 | 7/29/2011 | 13:38:03 | 60.8 | dB |
| 6 | 5 | 7/29/2011 | 13:38:04 | 60.8 | dB |
| 7 | 6 | 7/29/2011 | 13:38:05 | 60.8 | dB |
| 8 | 7 | 7/29/2011 | 13:38:06 | 60.8 | dB |
| 9 | 8 | 7/29/2011 | 13:38:07 | 60.8 | dB |
| 10 | 9 | 7/29/2011 | 13:38:08 | 60.8 | dB |
| 11 | 10 | 7/29/2011 | 13:38:09 | 60.8 | dB |
| 12 | 11 | 7/29/2011 | 13:38:10 | 60.8 | dB |

RS-232/USB PC Interface

For streaming of data to a PC via the RS232 Output jack, the optional 407001-USB kit (RS232 to USB cable and driver CD) along with the 407001 software (available free at www.extech.com/sdl600) are required.

AC Power Adaptor

This meter is normally powered by six (6) 1.5V 'AA' batteries. An optional 9V power adaptor is available. When the adaptor is used, the meter is permanently powered and the power button will be disabled.


Calibration

Frequent calibration is recommended and is often required by noise standards and directives.

1. Turn the meter ON
2. Put the meter in the 'A' weighting mode
3. Put the meter in the 'SLOW' response mode
4. Place the optional 94db calibrator onto the microphone
5. Turn the calibrator ON
6. Adjust the meter's CAL potentiometer (located on the right side under the snap-off compartment cover) so that the meter's display matches the output of the calibrator (94.0 dB)



Battery Replacement and Disposal

When the low battery icon  appears on the LCD, the batteries must be replaced. Several hours of accurate readings are still possible in this condition; however batteries should be replaced as soon as possible:

1. Remove the two (2) Phillips screws from the rear of the meter (directly above the top of the tilt stand).
2. Remove and safely place the battery compartment and screws where they will not be damaged or lost.
3. Replace the six (6) 1.5V 'AA' batteries, observing polarity.
4. Replace the battery compartment cover with the two (2) Phillips screws.



Never dispose of used batteries or rechargeable batteries in household waste.

As consumers, users are legally required to take used batteries to appropriate collection sites, the retail store where the batteries were purchased, or wherever batteries are sold.

Disposal: Do not dispose of this instrument in household waste. The user is obligated to take end-of-life devices to a designated collection point for the disposal of electrical and electronic equipment.

Specifications

General Specifications

| | |
|--------------------------|--|
| Display | 52 x 38mm (2 x 1.5") Backlit LCD |
| Status indicators | Out-of-range (----) and low battery ✗ |
| Microphone | 12.7mm (0.5") electret condenser microphone |
| Measurement Units | Decibels |
| Measurement ranges | Automatic and Manual (30 to 80, 50 to 100, and 80 to 130dB) |
| Frequency range | 31.5Hz to 8KHz |
| Frequency weighting | Selectable 'A' or 'C' |
| Time Response | Fast (125ms) and Slow (1sec) selectable |
| Calibration | Calibration potentiometer for use with external (optional) calibrator |
| Datalogger Sampling Rate | AUTO: 1, 2, 5, 10, 30, 60, 120, 300, 600, 1800, 3600 seconds. Note that a one (1) second sampling rate can cause some data loss on slower computers. MANUAL: Set the sampling rate to '0' |
| Memory Card | SD Card type (1GB to 16GB size) |
| Display update rate | Approx. 1 second. |
| Data Output | RS-232 / USB PC computer interface |
| AC Output | 0.5V AC rms full scale, 600ohm output impedance |
| Applicable Standards | ±1dB high accuracy meets Class 2 standards (IEC 61672-2013 and ANSI/ASA S1.4/Part 1 |
| Accuracy | ± 1.0dB |
| Operating Temperature | 0 to 50°C (32 to 122°F) |
| Operating Humidity | 85% R.H. max. |
| Auto Power OFF | After 10 minutes of inactivity (can be disabled) |
| Power Supply | Six (6) 1.5 VDC batteries (optional 9V AC adaptor) |
| Power Consumption | Normal operation (backlight and datalogger OFF): approx. 12mAdc With backlight OFF and datalogging ON: approx. 51mAdc With backlight ON add approx. 6mAdc |
| Weight | 428g (0.94 lbs.) including batteries |
| Dimensions | Main instrument: 250 x 73 x 47.5mm (9.8 x 2.9 x 1.9") Microphone: 12.7mm (0.5") outer diameter |

Note: Specifications tested at 23°C ± 5°C and under an environmental RF Field Strength lower than 3 V/M and a frequency lower than 30 MHz

Copyright © 2013-2017 FLIR Systems, Inc.

All rights reserved including the right of reproduction in whole or in part in any form
ISO-9001 Certified
www.extech.com