

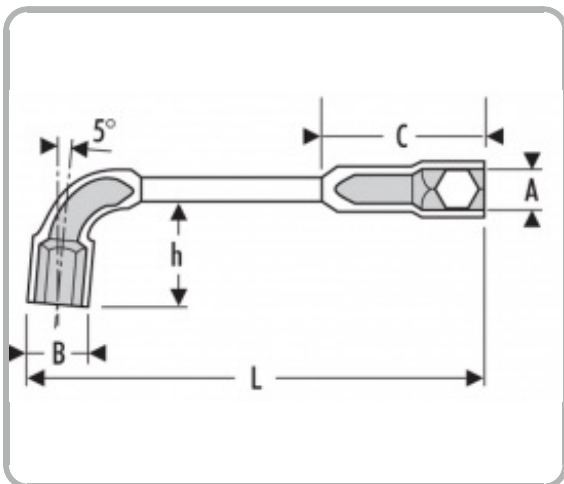
ANGLED SOCKET WRENCHES 6-POINT X 6-POINT - METRIC | E113454



Description

- ISO 691 - ISO 2236
- The specific angle offers increased torque application.
- The opening allows a threaded rod to be passed through for nuts on a long thread and also enables the use of a bar to increase torque application.
- The deep punch in the heads allows for tightening even when the threaded rod protrudes.
- Forged in Chrome Vanadium steel.
- High chrome finish.

Information



EAN	3258951134542
------------	---------------

A [mm]	31
---------------	----

B [mm]	43.5
---------------	------

C [mm]	86
---------------	----

H1 [mm]	70
----------------	----

H [mm]	70
---------------	----

L [mm]	320
---------------	-----

Conditioning	1
---------------------	---

[g]	1352
------------	------