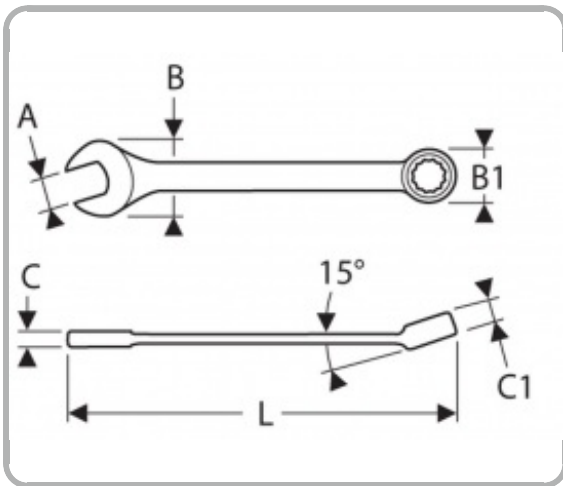


SET OF COMBINATION WRENCHES - METRIC | E113316

Description
Information

| | |
|---------------------|---------------|
| EAN | 3258951133163 |
| A ["] | 1/2" |
| B [mm] | 28.7 |
| B1 [mm] | 20.6 |
| C [mm] | 5.5 |
| C1 [mm] | 7.5 |
| L [mm] | 170 |
| Conditioning | 1 |
| [g] | 68 |