

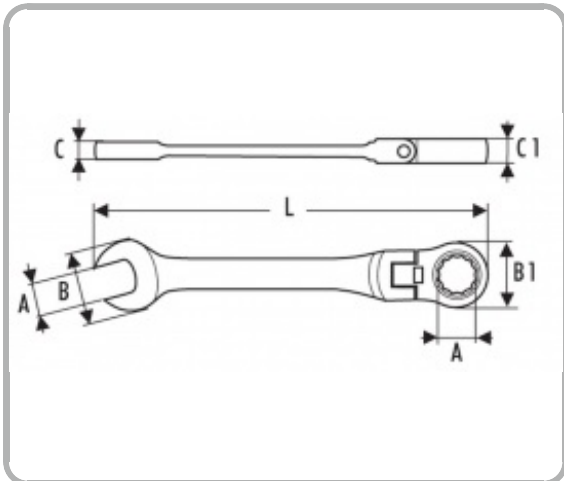
HINGED RATCHET COMBINATION WRENCHES - METRIC | E110902



Description

- ISO 691 - ISO 1711-1
- 5° increment.
- 12-point OGV® ring end flexible through 180°.
- Open end angled at 15° from the handle axis (increment angle 30°).
- OGV® Ring profile maximizing contact surface with the nut for a longer lifetime.
- Switch of direction by turning the wrench.
- Forged in Chrome Vanadium steel.
- High chrome finish.

Information



EAN	3258951109021
A [mm]	9
B [mm]	19.2
B1 [mm]	19.3
C [mm]	5.8
C1 [mm]	7.6
L [mm]	143
Conditioning	1
[g]	50