

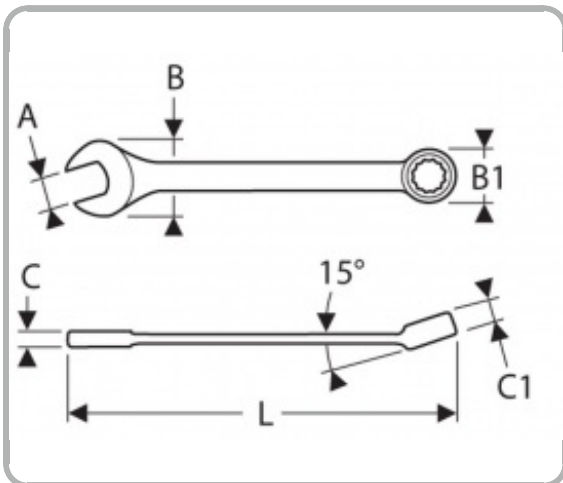
SHORT COMBINATION WRENCHES - METRIC | E110110



Description

- ISO 691 - ISO 1711-1 - ISO 3318 - ISO 7738 - DIN 3113- 12-point OGV® ring angled at 15°.
- Open end angled at 15° from the handle axis (increment angle 30°).
- OGV® Ring profile maximizing contact surface with the nut for a longer lifetime.
- Forged in Chrome Vanadium steel.
- Short wrenches for better accessibility in confined spaces.
- High chrome finish.

Information



EAN	3258951101100
------------	---------------

A [mm]	14
---------------	----

B [mm]	29.3
---------------	------

B1 [mm]	21.9
----------------	------

C [mm]	6.6
---------------	-----

C1 [mm]	8
----------------	---

L [mm]	114
---------------	-----

Conditioning	1
---------------------	---

[g]	65
------------	----